

Mounting blocks

Steel / Stainless Steel, for indexing plungers / cam action indexing plungers

SPECIFICATION

Types

- Type **A**: fixing holes parallel to plunger
- Type **B**: fixing holes vertical to plunger

Version in Steel

- blackened
- Grub screw GN 913.3 with brass pad (see page 921)

Version in Stainless Steel AISI 303 NI

Grub screw GN 913.5 with brass pad (see page 922)

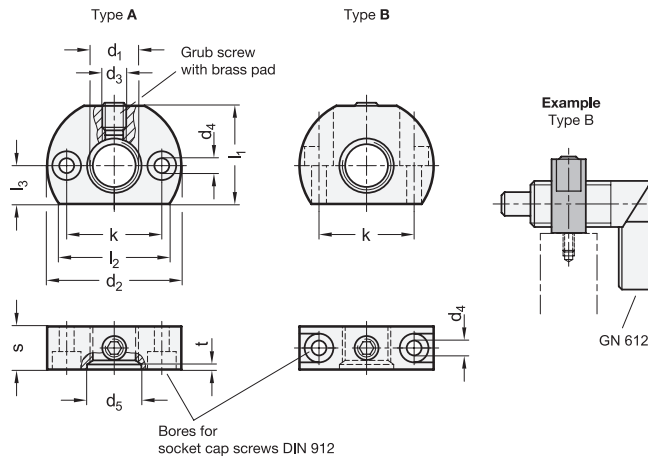
INFORMATION

Mounting blocks GN 612.1 broaden the mounting possibilities and are and added feature for the cam action indexing plungers GN 612 (see page 820) and cam action indexing plungers GN 712 (see page 823) / GN 712.1 (see page 824).

To position the indexing pin of an indexing plunger or cam action indexing plunger, they can also hold GN 412.2 (see page 813) positioning bushings.

TECHNICAL INFORMATION

- Stainless Steel characteristics (see page A26)



GN 612.1

Description	d1	d2	d3	d4	d5	k ±0.1	l1	l2 ≈	l3	s	t	⚖
GN 612.1-M12x1,5-A	M 12 x 1,5	32	M 5	4,5	12,2	21	22	26,5	9	12	3	44
GN 612.1-M16x1,5-A	M 16 x 1,5	46	M 8	5,5	16,2	32	33	37	13	15	3	122
GN 612.1-M20x1,5-A	M 20 x 1,5	46	M 8	5,5	20,2	32	33	37	13	15	3	95
GN 612.1-M12x1,5-B	M 12 x 1,5	32	M 5	4,5	12,2	21	22	26,5	9	12	3	30
GN 612.1-M16x1,5-B	M 16 x 1,5	46	M 8	5,5	16,2	32	33	37	13	15	3	107
GN 612.1-M20x1,5-B	M 20 x 1,5	46	M 8	5,5	20,2	32	33	37	13	15	3	94

GN 612.1-NI

STAINLESS STEEL

Description	d1	d2	d3	d4	d5	k ±0.1	l1	l2 ≈	l3	s	t	⚖
GN 612.1-M12x1,5-A-NI	M 12 x 1,5	32	M 5	4,5	21	21	22	26,5	9	12	3	43
GN 612.1-M16x1,5-A-NI	M 16 x 1,5	46	M 8	5,5	32	32	33	37	13	15	3	121
GN 612.1-M20x1,5-A-NI	M 20 x 1,5	46	M 8	5,5	32	32	33	37	13	15	3	110
GN 612.1-M12x1,5-B-NI	M 12 x 1,5	32	M 5	4,5	21	21	22	26,5	9	12	3	37
GN 612.1-M16x1,5-B-NI	M 16 x 1,5	46	M 8	5,5	32	32	33	37	13	15	3	56
GN 612.1-M20x1,5-B-NI	M 20 x 1,5	46	M 8	5,5	32	32	33	37	13	15	3	100

